

POCKET DOOR KIT .co.uk

T: 0845 524 0100

Monday – Thursday: 8am – 5pm

Friday: 8am – 4pm

sales@pocketdoorkit.co.uk

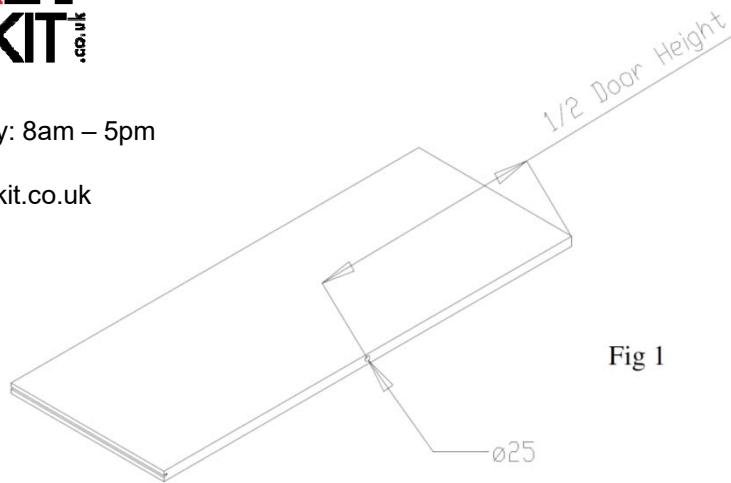
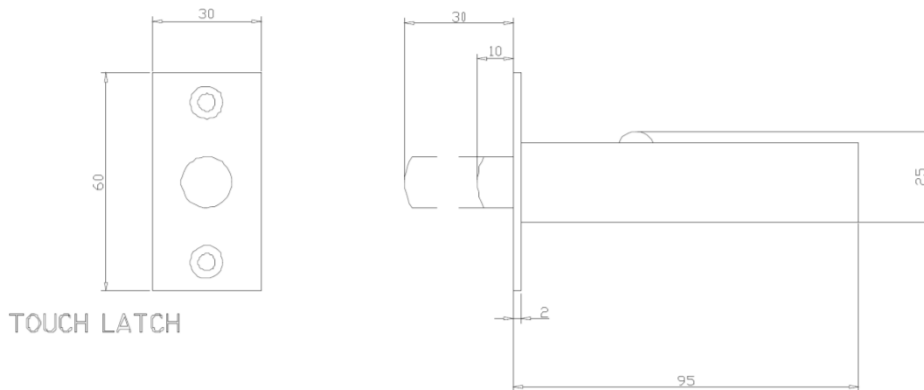


Fig 1



K7598 Touch latch

Nb

- 1) The rear track mounted trolley catch should NOT be fitted.
- 2) Check suitability of door construction for drilling.

- 2) On the back edge of the door measure and mark the centre. See Fig 1.
- 3) Using an auger bit drill a 25mm diameter hole at this point to a depth of 100mm.
- 4) Push the touch latch into this drilled hole and fix in place using the supplied screws.
- 5) Hang the door. See fitting instructions supplied with the Pocket door kit.
- 6) Open the door until it is flush with the door frame.
- 7) Fix supplied push off plate to inside face of rear stud using the supplied screws. Pack this plate if necessary to bring it out so that it just touches the plunger on the touch latch.
- 8) Check operation of touch latch by gently pushing the leading edge of the door, this should result in the door being pushed out of the pocket.
- 9) Re-open door to check that the touch latch re-engages.

Installation of the Touch latch should be done with the door removed from the pocket door kit and prior to the fitting of the plasterboard.

Installation Tips

- For smooth operation do not install the touch latch near the top or bottom edge of the door. The door must not tilt when pushed to release from the cavity.