

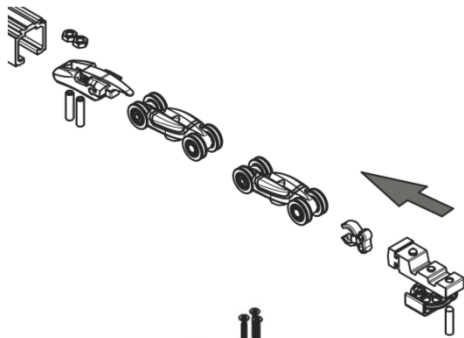
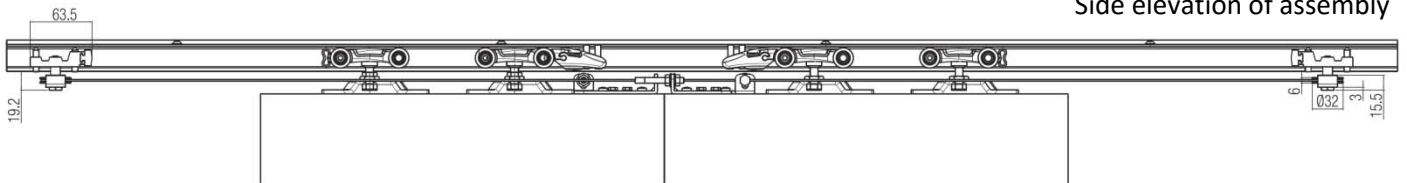
POCKET DOOR KIT .co.uk

T: 0845 524 0100
Monday – Thursday: 8am – 5pm
Friday: 8am – 4pm
sales@pocketdoorkit.co.uk

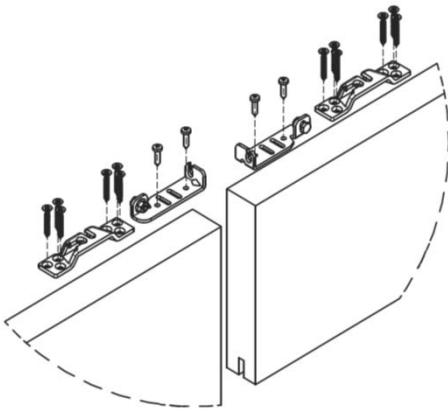
K0550KR0 – Simultaneous kit for double doors

The below kit links a pairs of doors for simultaneous operation. As one door is opened by the user the other door opens as well and visa versa. To be used with double pocket kits only.

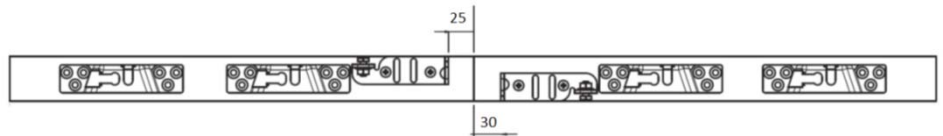
Side elevation of assembly



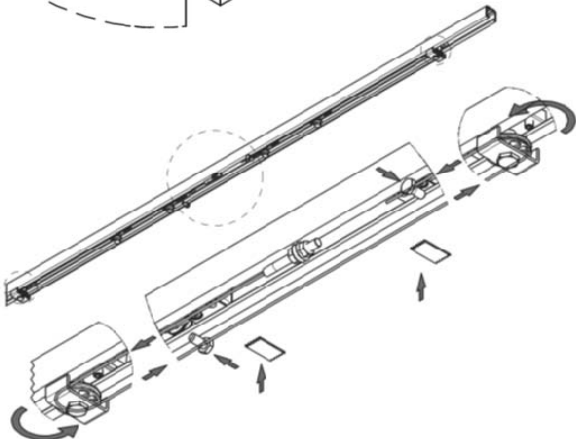
1. Remove existing track components and reinstall as shown, omitting the standard back edge door stop. Repeat (mirror) for opposite door

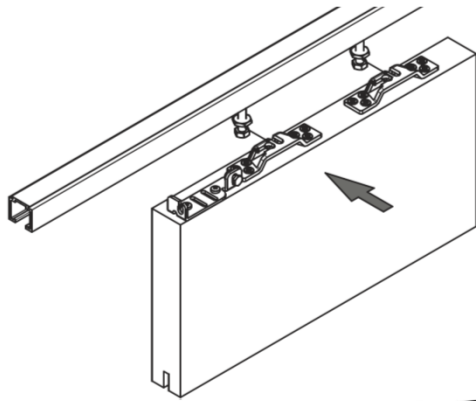


2. Affix the L shaped cable clamps to the top edge of both doors as shown, NOTE the clamps are not central but offset on the door's thickness as below.

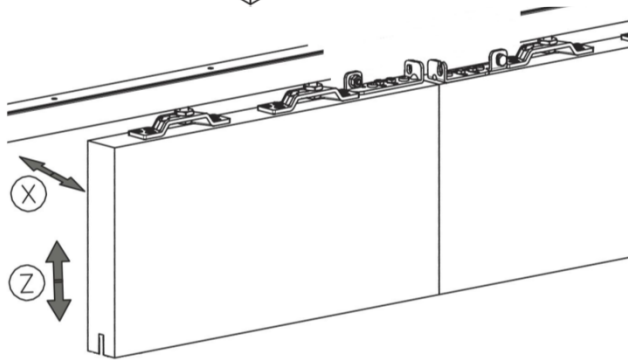


3. Loop the cable around the pulleys and thread on the 2no cross drilled bolts. Position the bolts as shown, one on the nearside and one farside. Loosely tape the assembly in place.

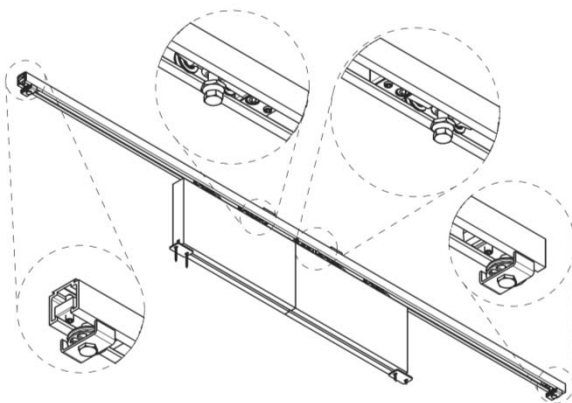




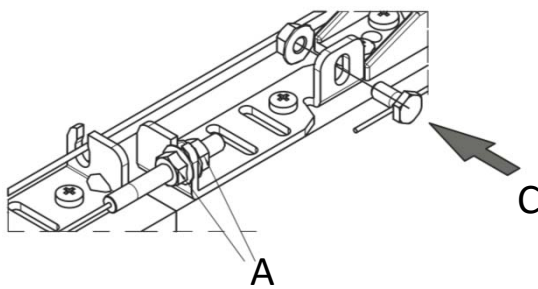
4. Hang the door on the M8 bolts with locking nuts installed.



5. Adjust the doors on the hanger bolts so that they are square and plumb



6. Open both doors so that the edge of each door is level with its respective pocket, this should set the position of the rear stops, once set tighten the locking grub screws on the stops. Close the pair of doors fully, this should set the positions of the central stops, one set tighten locking grub screws on centre stops.



7. Insert the threaded tensioner through the end of one of the brackets "A". Lightly tighten the cross drilled bolts with the nuts provided. Tension the assembly by winding up the tensioner bolt on tensioner nuts. Check doors open and close correctly. Tighten the cross drilled bolts.

