

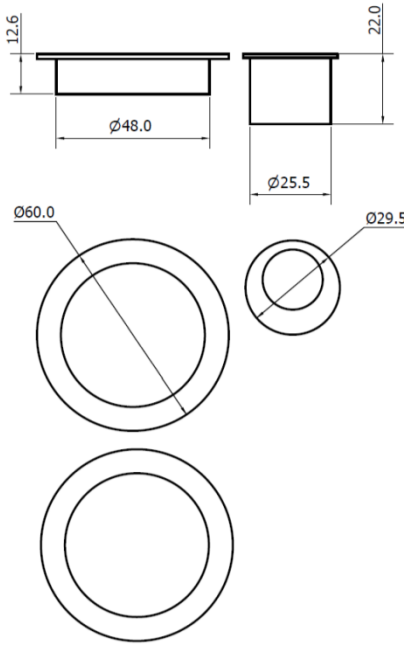
POCKET DOOR KIT .co.uk

T: 0845 524 0100
 Monday – Thursday: 8am – 5pm
 Friday: 8am – 4pm
 sales@pocketdoorkit.co.uk

FlushSets

K7509 PC flush pull sets comprise a pair 60mm dia x 13mm deep pull handles.

Sets also include a leading edge finger pull which allows the door to be pulled where the installation has the door fully recessed in the pocket.



K7510 / K7511

Bathroom Privacy Sets

K7510 PC furniture set Suitable for door leaves 40mm thick

K7511 PC furniture set Suitable for door leaves 35mm thick

Comprise a morticed lock-case complete with hookbolt and strike, flush fitted thumbturn and emergency release. Sets also include a leading edge finger pull which allows the door to be pulled where the installation has the door fully recessed in the pocket.

Nb. To fit lock strike, centrally align hole in strike plate with hookbolt hole in lock forend, mark.

Drill 3no 12mm dia holes 12mm deep starting from the top of the hole in the strike plate and overthrowing the lower lip of the hole by approx. 7mm.

Clear out any debris.

Surface fix the strike plate aligning the top of the strike hole with the top of the recess

